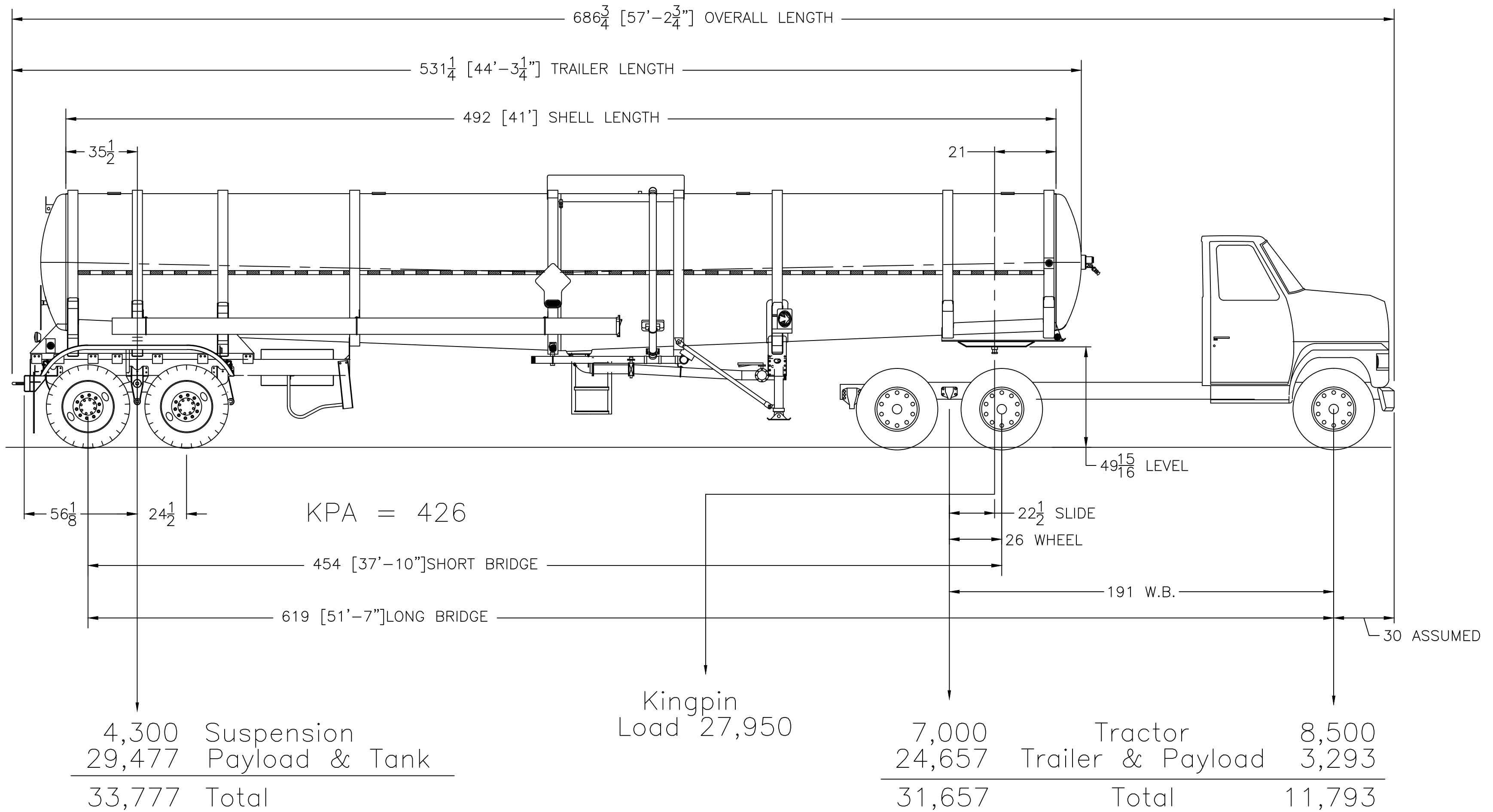


Note: This Drawing is not to scale and is not intended to show exact locations and or quantities of components.





Payload 51,226 (77%)  
 Trailer 10,500  
 Tractor 15,500 (ASSUMED)  


---

 Total 77,223 GCW

\*\* Weights may vary due to options  
 \*\* Crude oil density 7.2 lbs/gal

					TOLERANCES: UNLESS OTHERWISE SPECIFIED			 		This print is the property of the HEIL Co. and is recallable at any time. It must not be copied or used detrimentally to the interests of the HEIL Co.		
					ALL OTHER HOLES: ±1/4" LINEAR: ±1/8" 90° ANGLE: ±1'							
					HOLES FOR FASTENERS: ±1/32" >90° ANGLE: ±3'			DRAWING NAME & DESCRIPTION		DRAWING NUMBER		
					MATERIAL:		CUT SIZE:		9240 GAL ALUM DOUBLE CONICAL DOT-407 SEMI-TRAILER STOCK		SK JJK SHEET 1 OF 1 SHT SIZE A	
					DRAWN BY: DATE:		EST WEIGHT: SCALE:					
					D. C. ENG: DATE:		ENG. APP: DATE:		ECO			
					-		9/18/12					
REV	ECO	DESCRIPTION			BY	DATE	APP.					